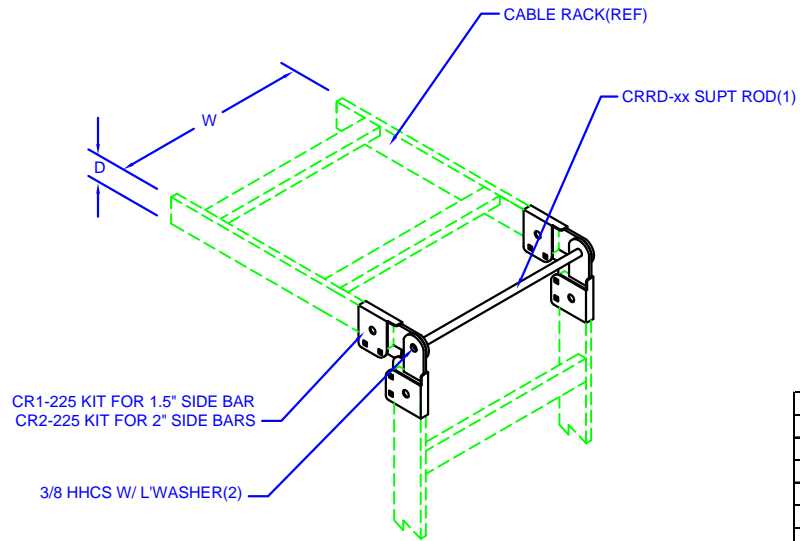


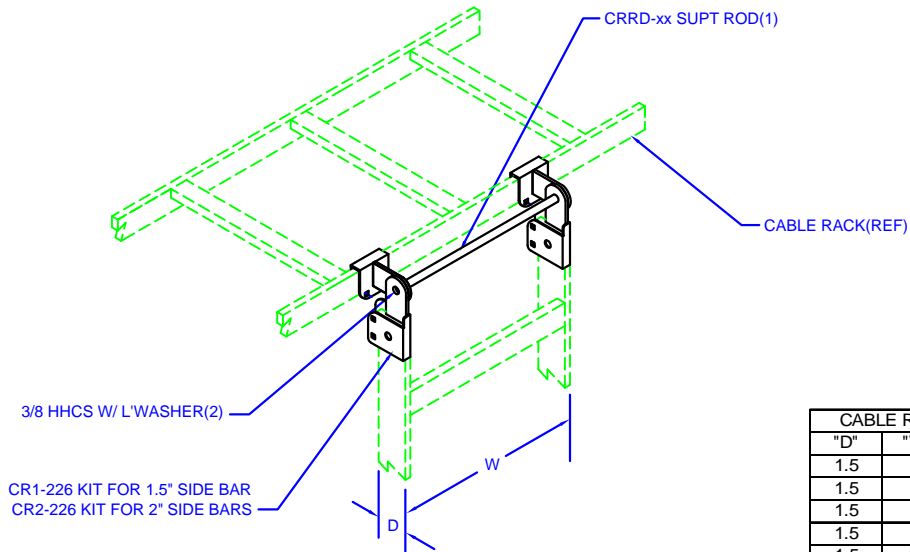
ADJUSTABLE CABLE RACK SPLICE KITS WITH SUPPORT ROD



CABLE RACK		MTP
"D"	"W"	PART #
1.5	5	CR1-225-05
1.5	10	CR1-225-10
1.5	12	CR1-225-12
1.5	15	CR1-225-15
1.5	20	CR1-225-20
2	5	CR2-225-05
2	10	CR2-225-10
2	12	CR2-225-12
2	15	CR2-225-15
2	18	CR2-225-18
2	20	CR2-225-20
2	24	CR2-225-24
2	25	CR2-225-25
2	30	CR2-225-30

NOTE: FOR SPLICES WHERE CABLE RACKS HAVE DIFFERENT HEIGHT SIDE BARS:
ORDER KIT FOR 2" SIDE BARS & (2) CR1-820 FILLER BARS

ADJUSTABLE CABLE RACK JUNCTION KITS WITH SUPPORT ROD



CABLE RACK		MTP
"D"	"W"	PART #
1.5	5	CR1-226-05
1.5	10	CR1-226-10
1.5	12	CR1-226-12
1.5	15	CR1-226-15
1.5	20	CR1-226-20
2	5	CR2-226-05
2	10	CR2-226-10
2	12	CR2-226-12
2	15	CR2-226-15
2	18	CR2-226-18
2	20	CR2-226-20
2	24	CR2-226-24
2	25	CR2-226-25
2	30	CR2-226-30

NOTE: FOR JUNCTIONS WHERE CABLE RACKS HAVE DIFFERENT HEIGHT SIDE BARS:
ORDER KIT FOR 2" SIDE BARS & (2) CR1-820 FILLER BARS

{05/09/09}



Moreng Telecom Products
973-237-2001
www.morengtel.com