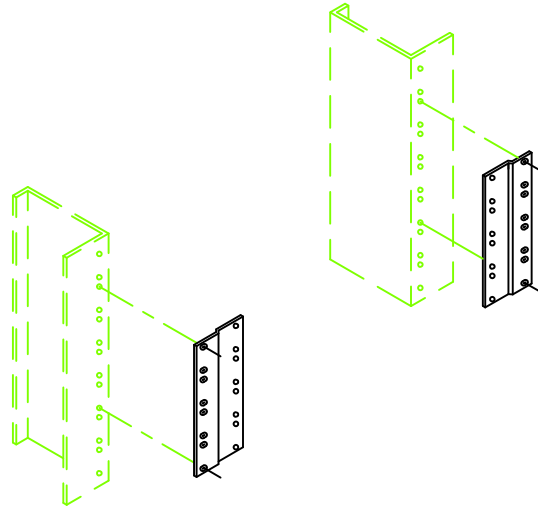


MOUNTING PLATE ADAPTER KITS- MPA SERIES

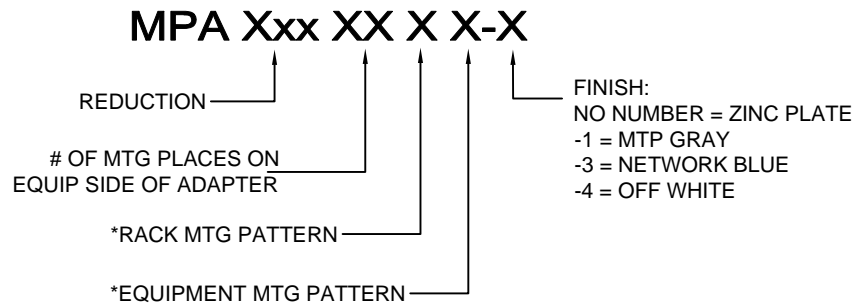
(4" OR GREATER REDUCTION:NO STAND-OFF)



KITS CONSIST OF 2 ADAPTERS WITH MOUNTING HARDWARE

MATERIAL: SHEET STEEL

OPTIONS:
USE PART NUMBER CODE AS SHOWN



*
1 = 1.75" MP
2 = 2.00" MP

(FOR FULL RACK ADAPTERS SEE
EQUIPMENT RACK SECTIONS)

DESCRIPTION	PART NUMBER
1 MTG PL-4" REDUCTION	MPA4000111-x
2 MTG PL-4" REDUCTION	MPA4000211-x
3 MTG PL-4" REDUCTION	MPA4000311-x
4 MTG PL-4" REDUCTION	MPA4000411-x
5 MTG PL-4" REDUCTION	MPA4000511-x
10 MTG PL-4" REDUCTION	MPA4001011-x

