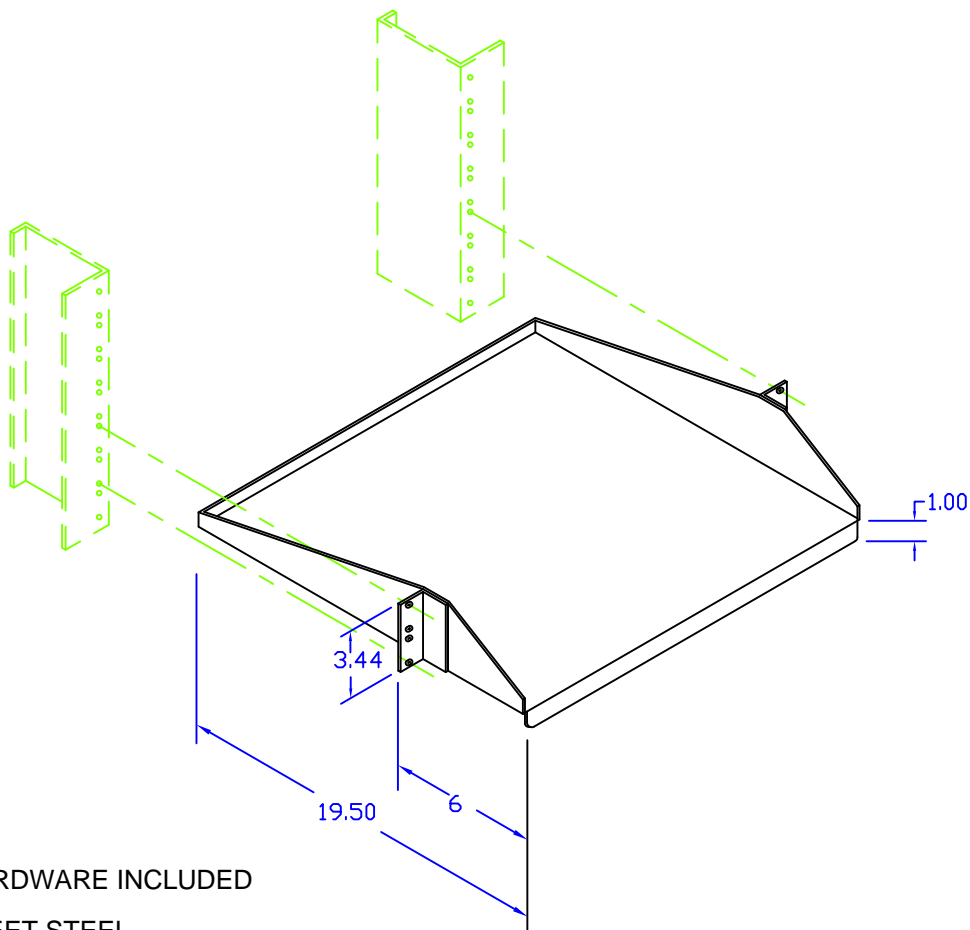


EQUIPMENT SHELVES - EST SERIES

(OPEN FRONT FOR MONITOR OR KEYBOARD)



MOUNTING HARDWARE INCLUDED

MATERIAL: SHEET STEEL

OPTIONS:
USE PART NUMBER CODE AS SHOWN

EST XXX 195-X

RACK WIDTH
(190 FOR 19")
(230 FOR 23")

FINISH:
-1 = MTP GRAY
-3 = NETWORK BLUE
-4 = OFF WHITE

23" RACK	19" RACK
EST230195-x	EST190195-x

(09/20/09)



Moreng Telecom Products
973-237-2001
www.morengtel.com