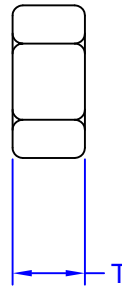
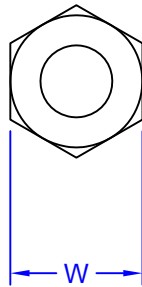


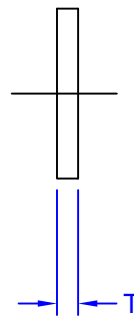
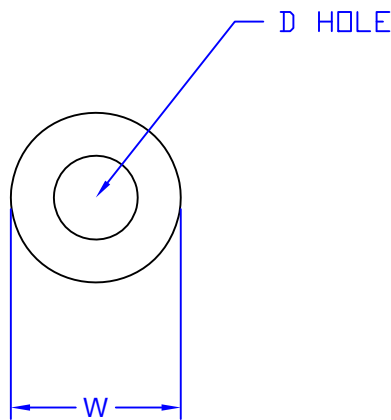
HEAVY HEX NUTS, STEEL



- MATERIAL: CARBON STEEL
- NUTS 3/8 AND OVER ARE GRADE 5 MIN.
- FINISH: ZINC PLATE - YELLOW CHROMATE

SIZE	PART #	W	T
8-32	NHC00832Y	.343	.130
10-32	NHC01032Y	.375	.130
12-24	NHC01224Y	.438	.161
.25-20	NHC02520Y	.500	.266
.31-18	NHC03118Y	.562	.330
.38-16	NHC03716Y	.688	.393
.50-13	NHC05013Y	.875	.520
.62-11	NHC06211Y	1.06	.647

FLAT WASHERS, STEEL



- MATERIAL: .25 CARBON STEEL
- FINISH: ZINC PLATE - YELLOW CHROMATE

SIZE	PART #	W	D	T
#8	WFC008Y	.500	.188	.045
#10	WFC010Y	.563	.208	.045
#12	WFC012Y	.625	.240	.071
.25	WFC025Y	.765	.281	.071
.31	WFC031Y	.875	.344	.071
.38	WFC037Y	1.00	.406	.071
.50	WFC050Y	1.25	.540	.112
.62	WFC062Y	1.75	.656	.112

