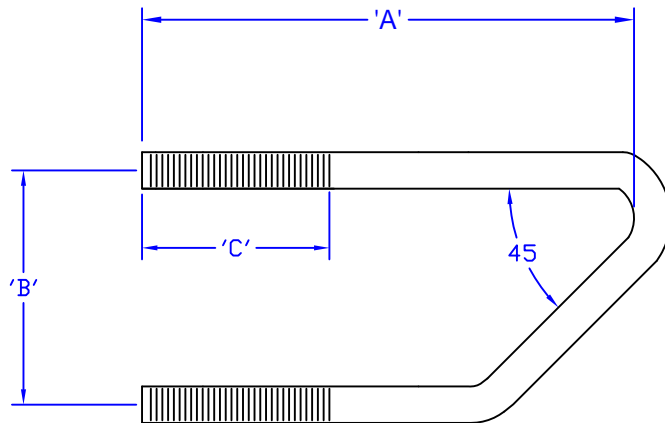


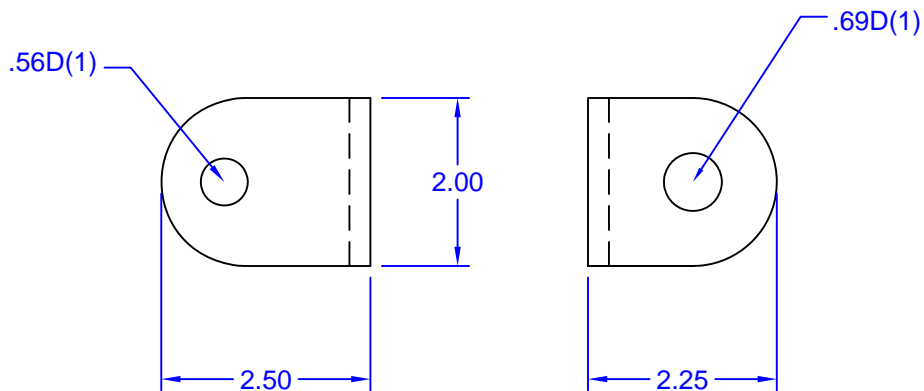
"V" BOLTS



- MATERIAL: CARBON STEEL
- FINISH: ZINC PLATE - YELLOW CHROMATE

THREAD	C	B	A	PART #
3/8-16	1.00	2.44	3.00	SFH-703
1/2-13	1.50	2.63	5.00	SFH-805
1/2-13	1.50	2.63	8.00	SFH-808
5/8-11	10.75	2.69	13.00	SFH-913

ROD BRACE BRACKET



- MATERIAL: .25 CARBON STEEL
- FINISH: ZINC PLATE - YELLOW CHROMATE

SFH-570

