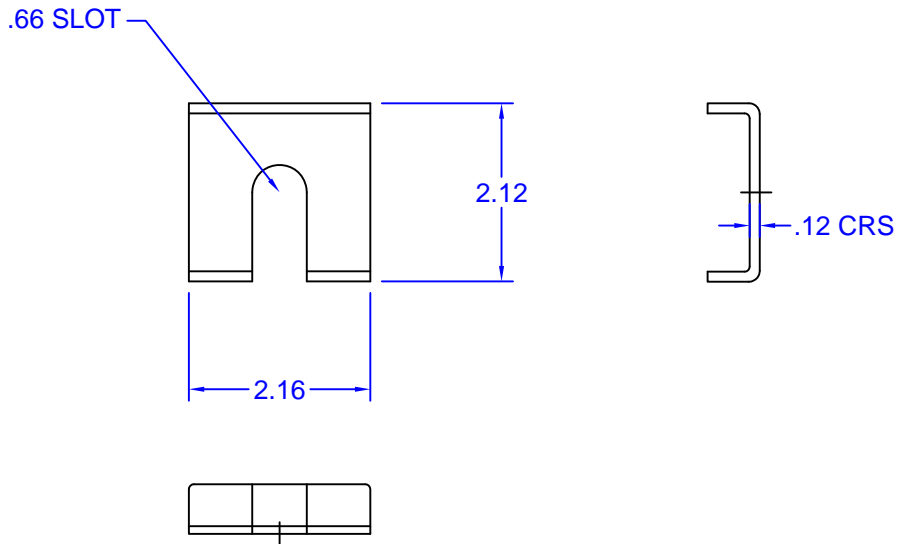


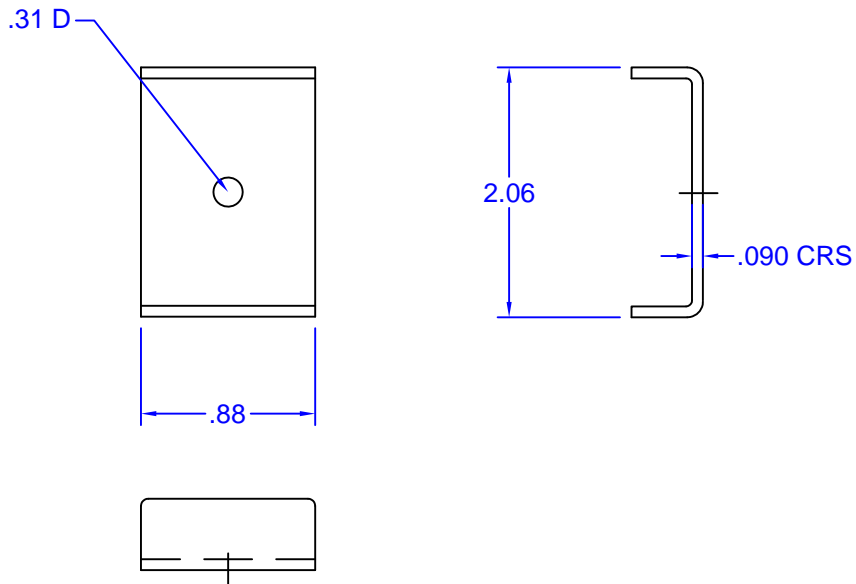
2" CHANNEL FRAMING CLIPS
(SLOTTED FOR EXISTING $\frac{5}{8}$ ROD)



- MATERIAL: CR STEEL
- FINISH: ZINC PLATE - YELLOW CHROMATE

SFC-2M

2" CHANNEL FRAMING CLIPS
(FOR $\frac{1}{4}$ BOLTS)



- MATERIAL: CR STEEL
- FINISH: ZINC PLATE - YELLOW CHROMATE

SFH-819

