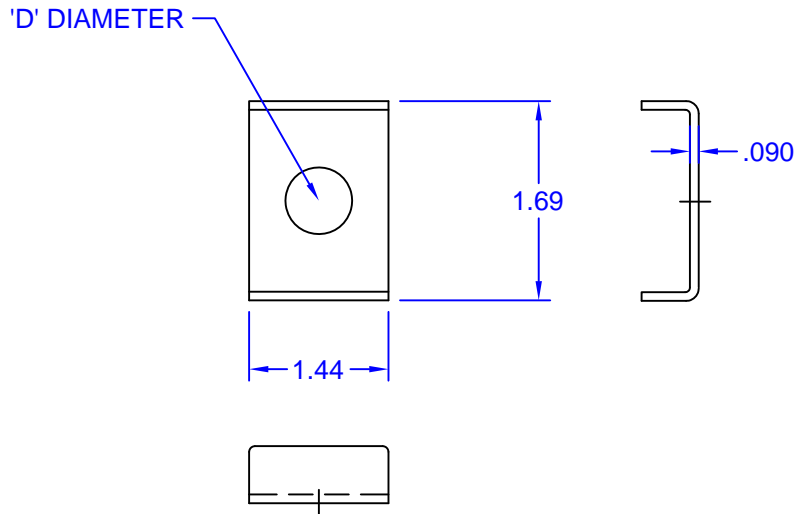


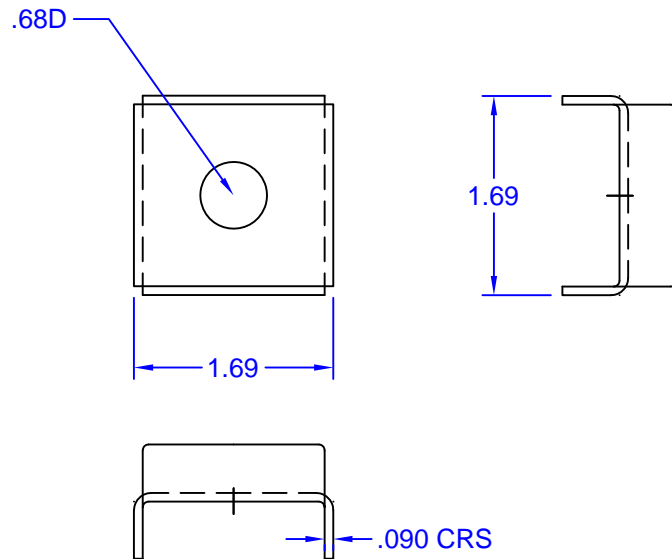
2" BAR FRAMING CLIPS



- MATERIAL: CR STEEL
- FINISH: ZINC PLATE - YELLOW CHROMATE

'D'	PART #
.66	SFB-1
.53	SFB-1A

2" BAR FRAMING CLIPS FOR CROSS-OVER INTERSECTION



- MATERIAL: CR STEEL
- FINISH: ZINC PLATE - YELLOW CHROMATE

SFB-1B

